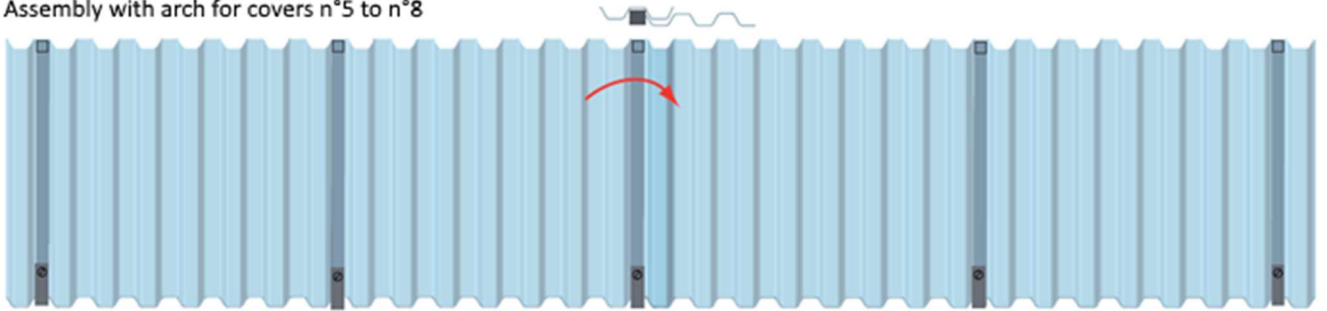
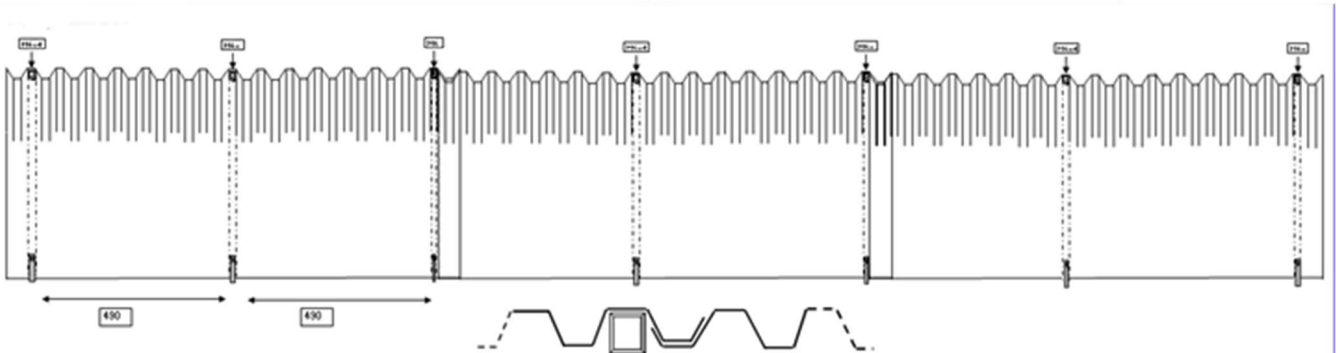
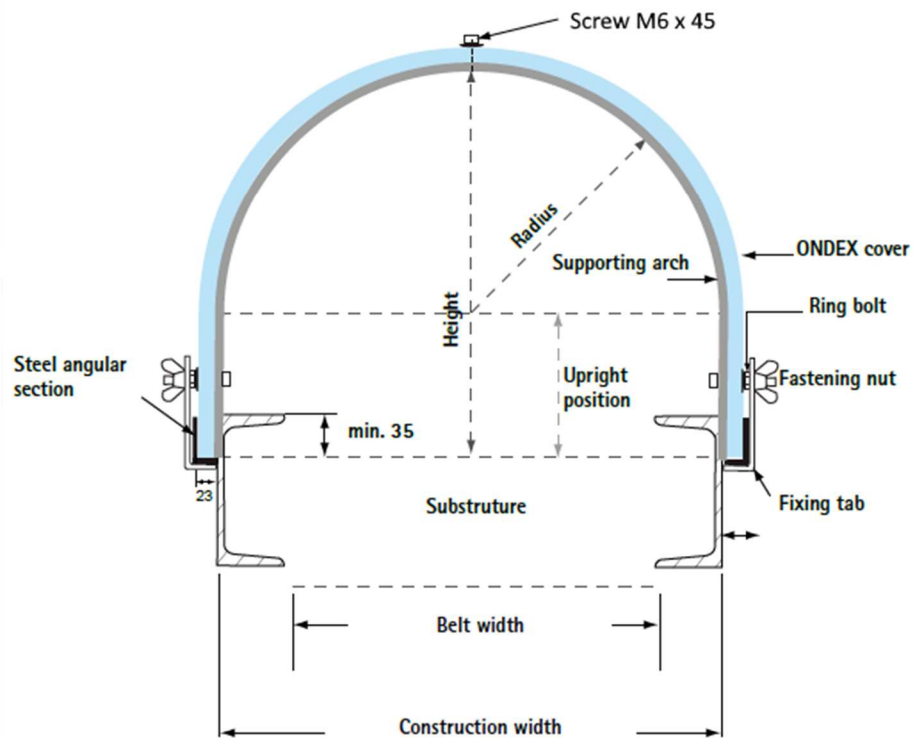


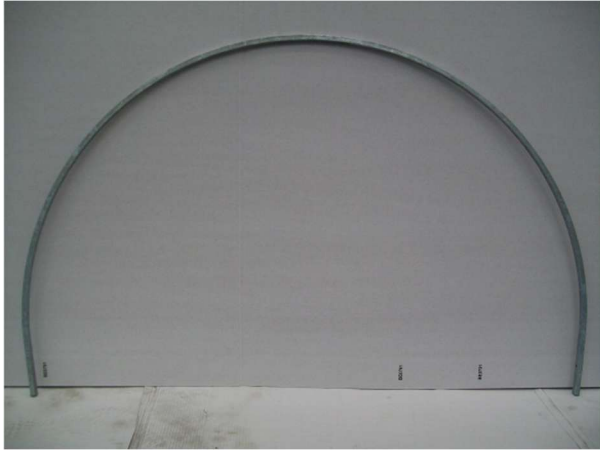
# Technical assembly sheet for covers with arches

Assembly with arch for covers n°5 to n°8

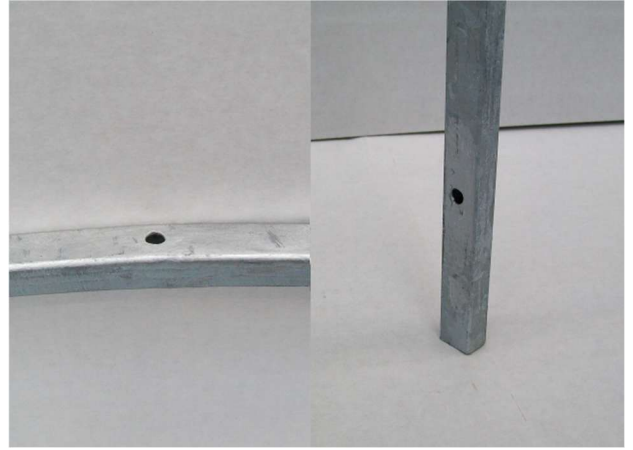


Fastening with arch for covers n° 5 and more





Arches



Bottom and top predrilled holes details



Fixing kit by arches (20216)



Kit details



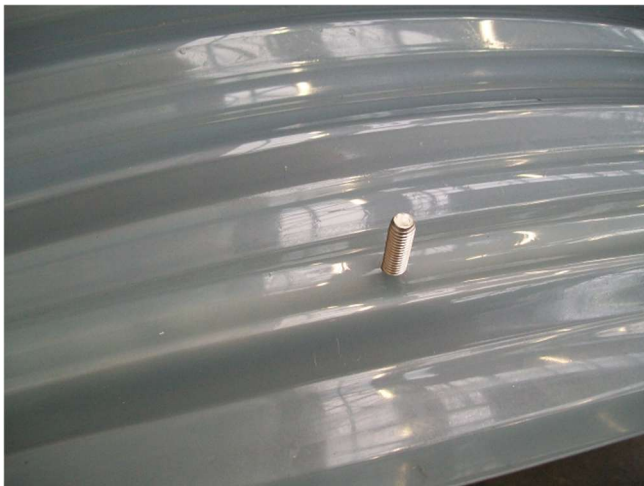
Identify the hole of the top of the arch and drill the cover by transparence (diameter 10 mm)



Put the screw M6 x 45



and its support nut



Get the cover into position



slip the washer



Screw the tightening bolt





Put the arch and the cover in the corner and identify the screwing hole by transparence



Drill the cover as the same level as the drilled hole in the arch (diameter 10 mm)



Put the screw (M8 x 45) right to the end



Put the washer



Screw the tightening bolt



Put the fixing nut on the corner

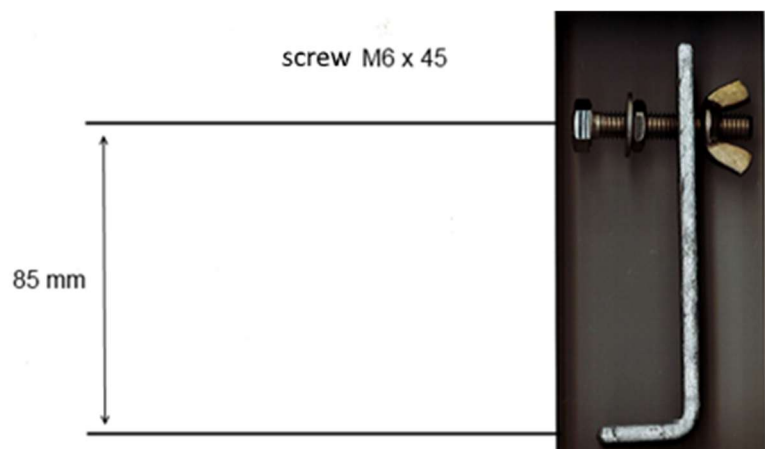




Screw the butterfly nut

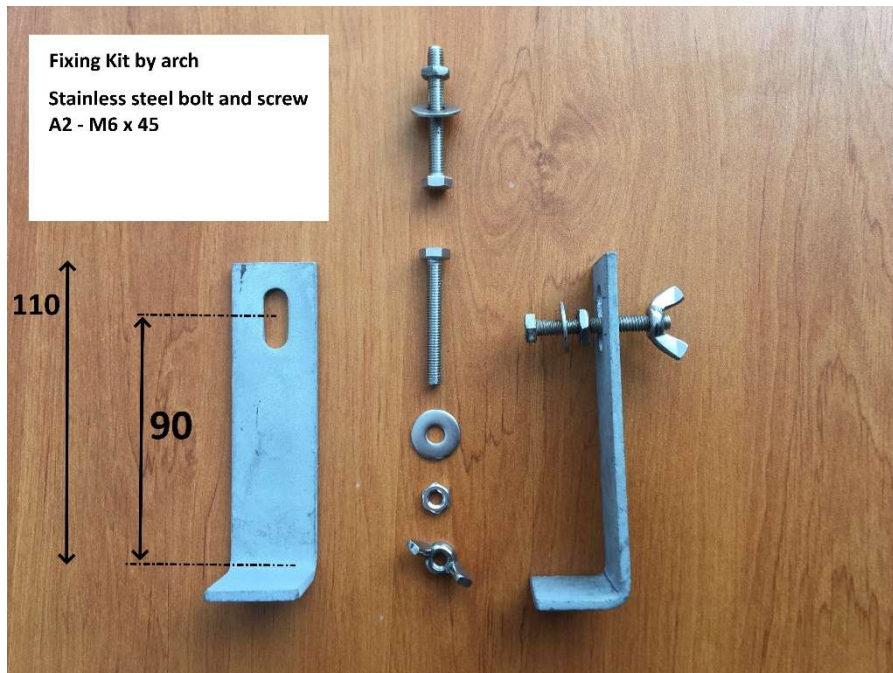
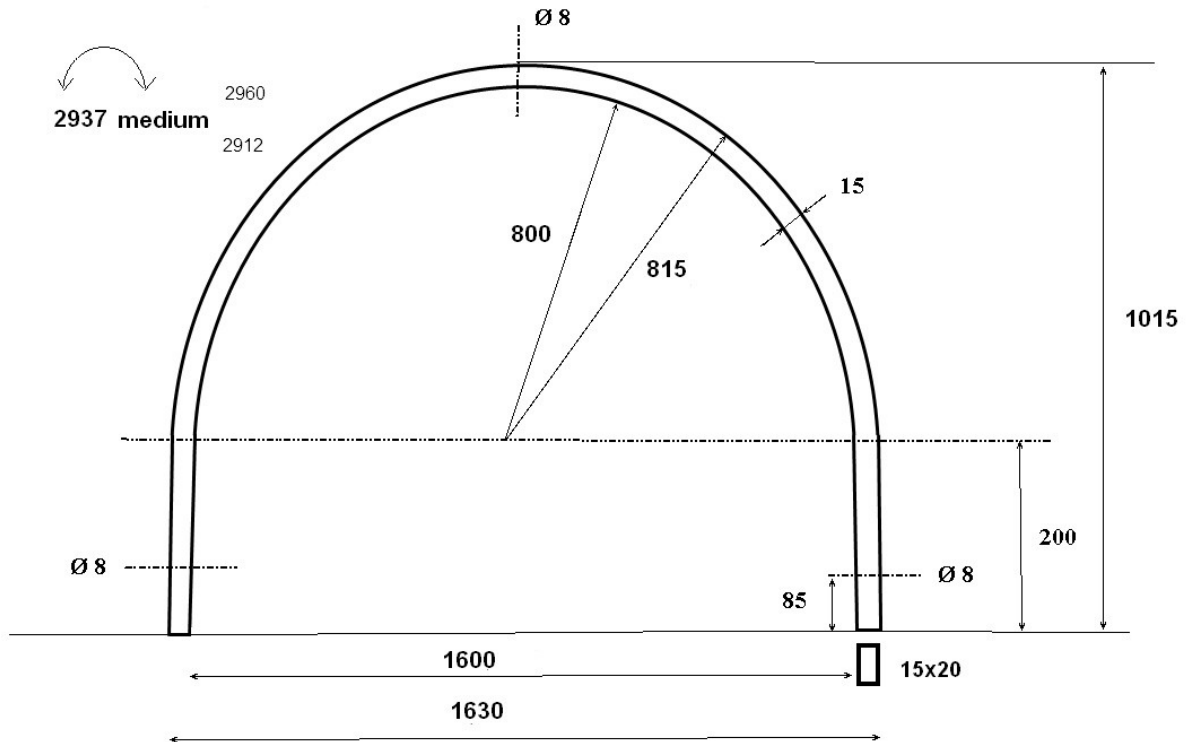


Bottom fixing details

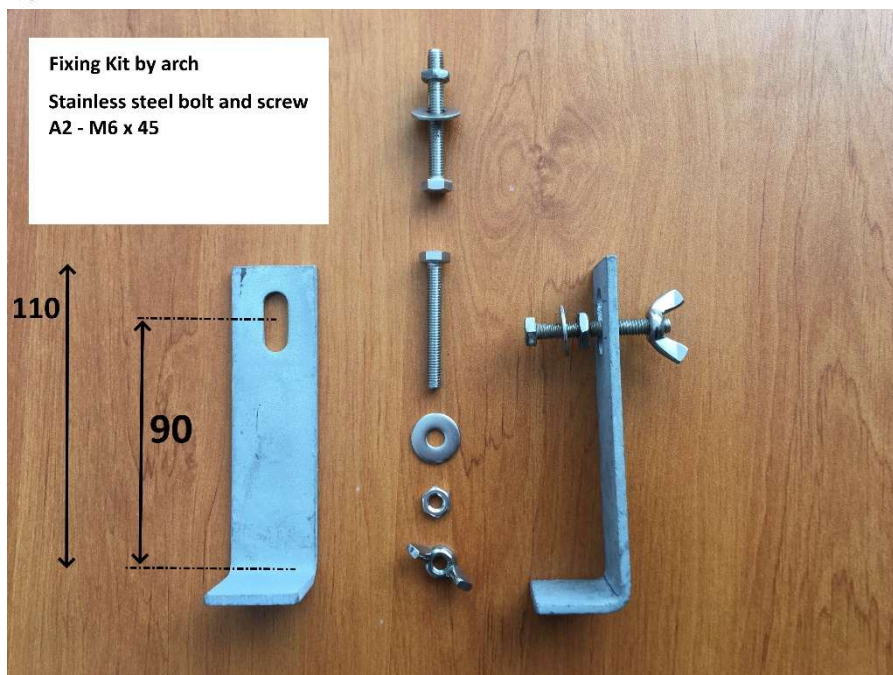
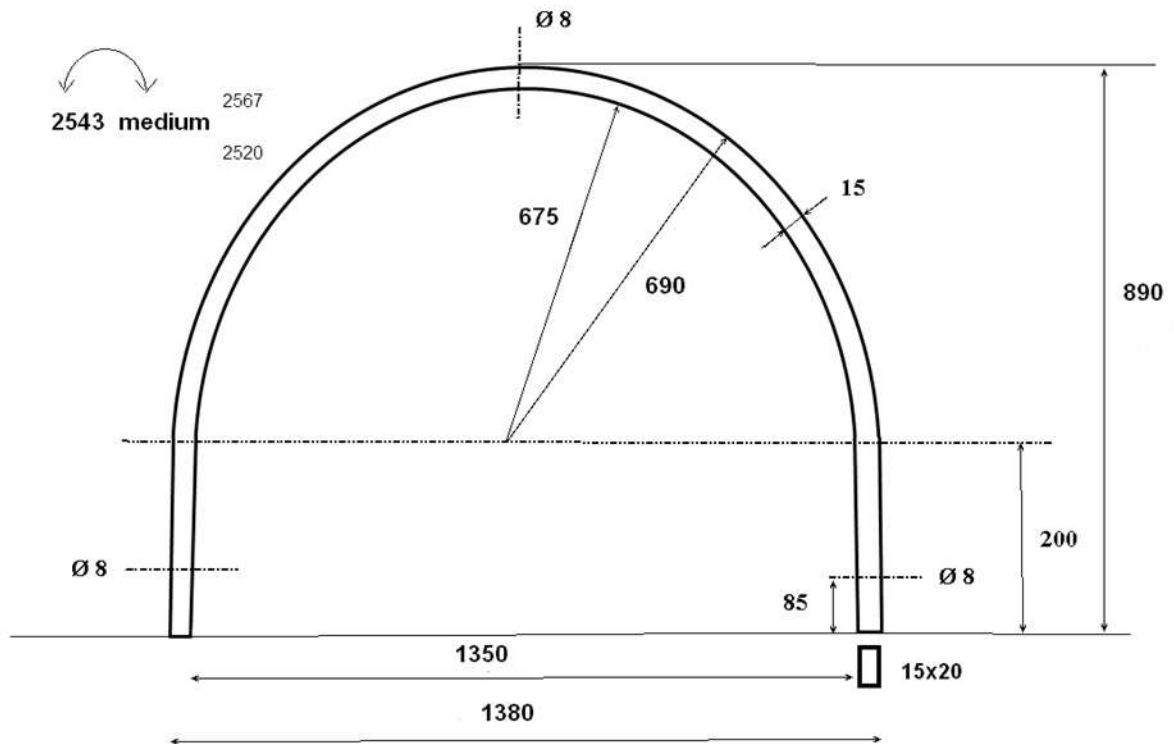




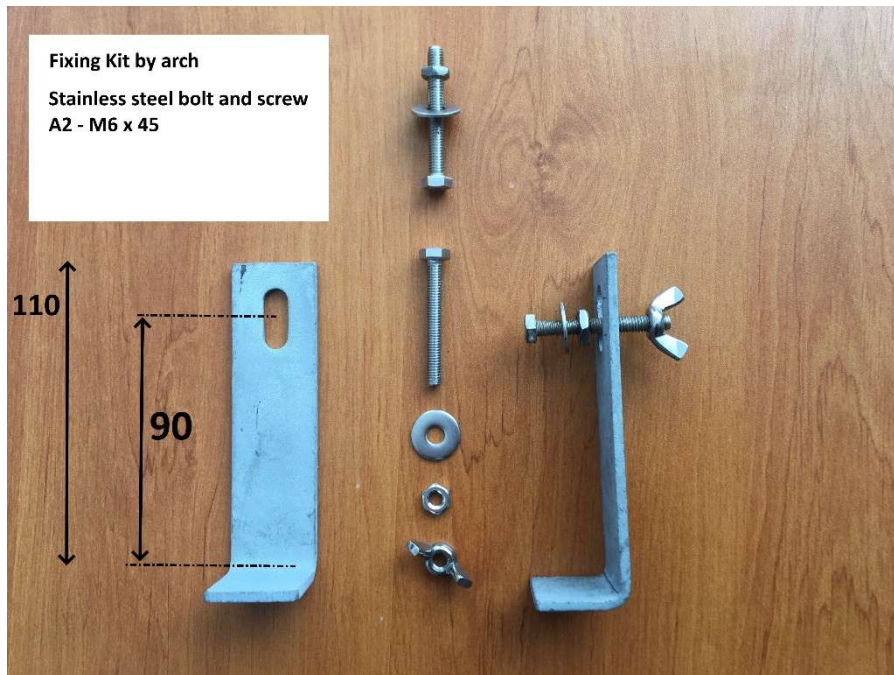
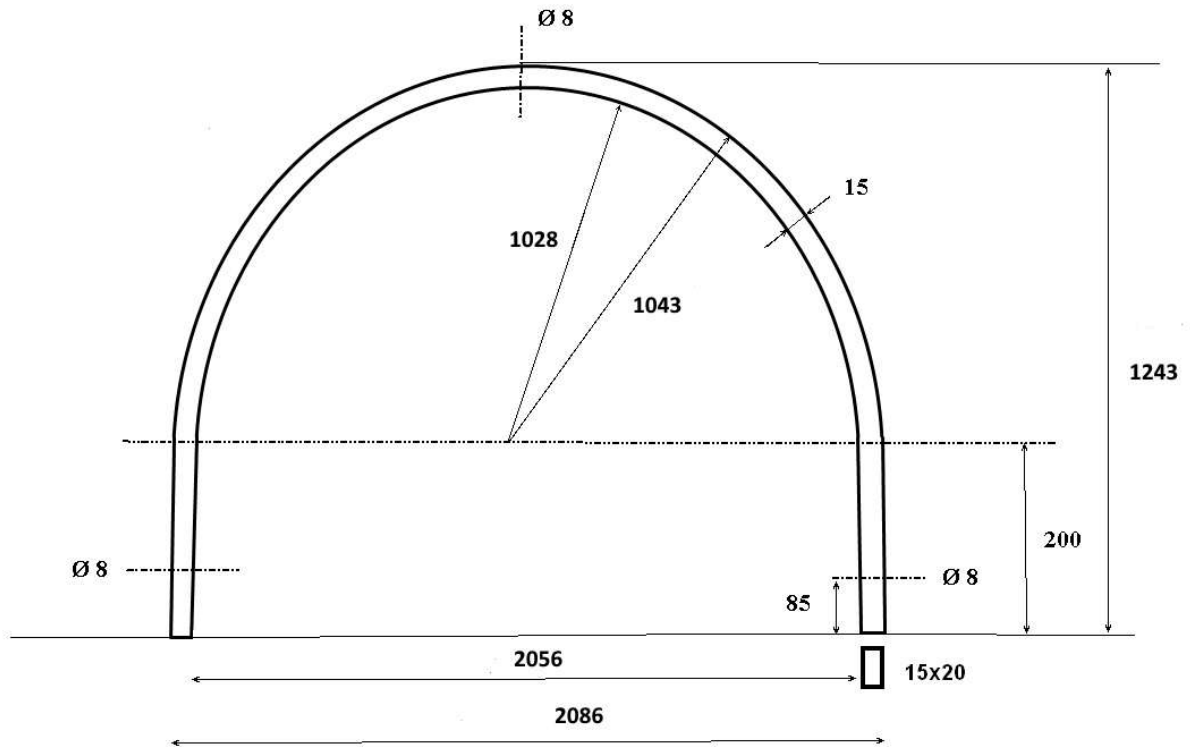
## 20790 – Aluminum Arch + Fixing kit for cover N°6



## 20791 – Aluminum Arch + Fixing kit for cover N°5



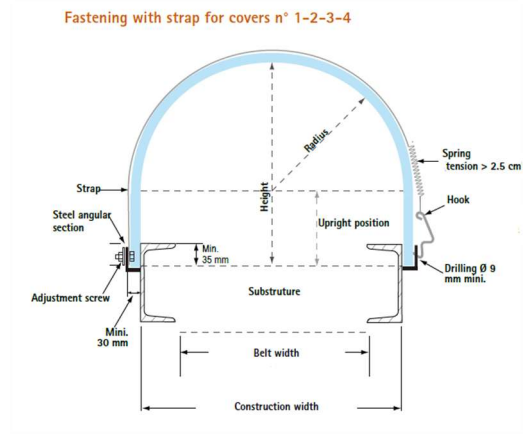
## 20794 – Aluminum Arch + Fixing kit for cover N°8



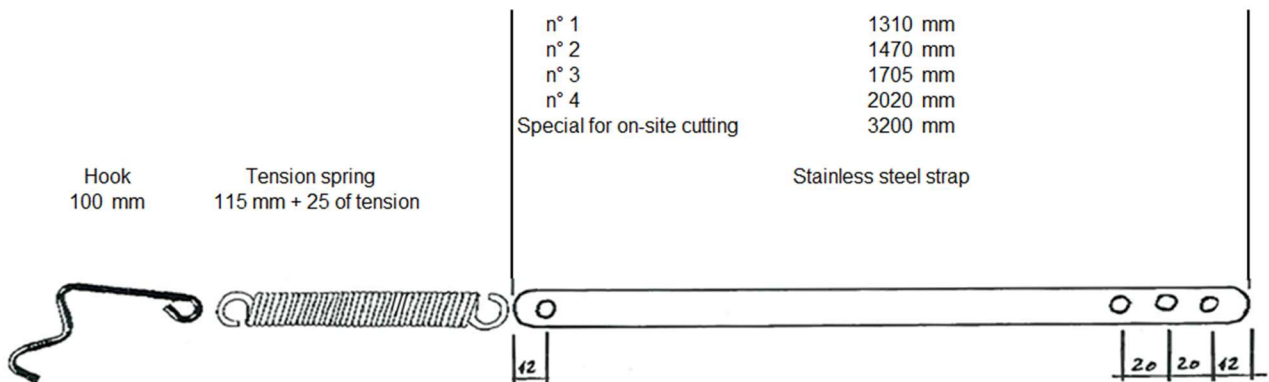
**Description:** **Stainless steel strap for covers fastening**

**Material:** **Stainless steel: 1.4301 – 1.4310** **Thickness: 9/10**

**Assumption:**



**Kit composition:** **1 hook + 1 spring + 1 strap + 1 screw, washer and bolt - M6 x 20**



Developed from cover				
20630	for cover N° 1	1515 mm	1486	à 1526 mm
20631	N° 2	1675 mm	1646	à 1686 mm
20632	N° 3	1905 mm	1881	à 1921 mm
20654	N° 4	2215 mm	2196	à 2236 mm
20629	Special for on-site cutting		1486	à 3416 mm Maxi

**Execution:**

